



GAMMON TECHNICAL PRODUCTS, INC.
P.O. BOX 400 - 2300 HWY 34
MANASQUAN, N.J. 08736

PHONE 732-223-4600
FAX 732-223-5778

WEBSITE www.gammontech.com
STORE www.gammontechstore.com

SEALS AND BALL RACES FOR CHIKSAN®-FMC SWIVELS

**BULLETIN 147
(12-03)**

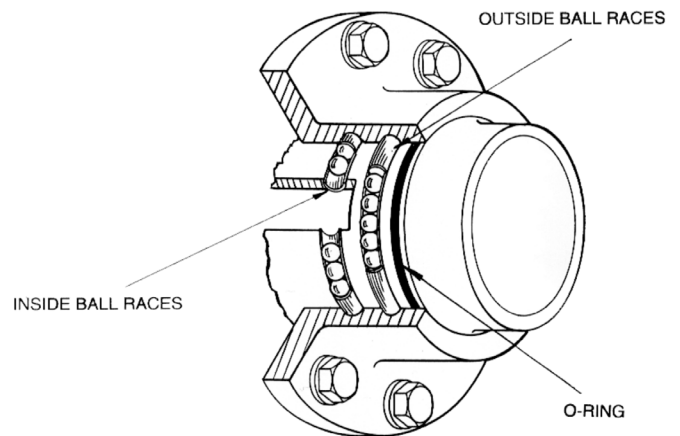
SEALS AND BALL RACES FOR SWIVELS

BALL RACES in Chiksan® aluminum swivels sometimes become pitted and worn. This results in poor operation and leakage, because compression on the seal is lost. Instead of replacing the entire swivel joint, use snap-in stainless steel ball races. Installation is fast. No special tools are required. Developed and fully approved by FMC, these races have decades of success behind them.

Order one of the following kits:

GTP-8832 Race kit, 3"
Consists of one male and one female snap-in race plus 45 stainless steel balls, 5/16" diameter

GTP-8833 Race kit, 4"
Consists of one male and one female snap-in race plus 60 stainless steel balls, 5/16" diameter

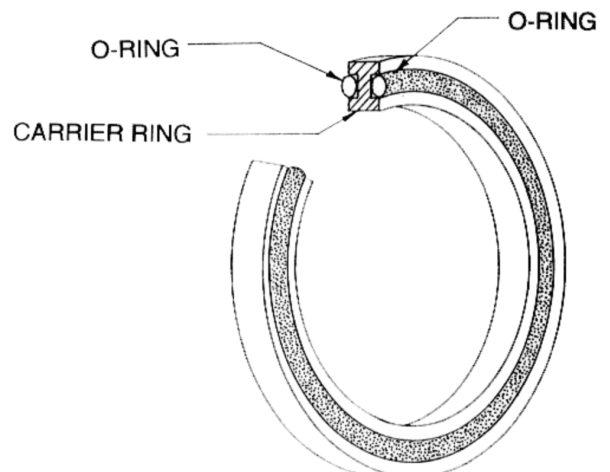


REPLACEMENT SEALS, developed by Gammon specifically for Chiksan® FMC swivels, overcome "weeping" or dripping when the system is not pressurized. Instead of a molded ring, our seal system uses 2 Viton o-rings that seal at both low and high pressures. A perfectly machined o-ring carrier ring is supplied in the kit for initial installation. Thereafter, only the o-rings need to be replaced.

Order one of the following kits:

GTP-3068-4 Seal kit, 3"
Consists of one seal carrier ring and two Viton o-rings
Replaces FMC P/N 3199366

GTP-3068-1 Seal kit, 4"
Consists of one seal carrier ring and two Viton o-rings
Replaces FMC P/N 6100835



REPLACEMENT O-RINGS (TWO ARE REQUIRED PER SWIVEL)

GTP-3068-5 Set of 2 o-rings for 3" swivels

GTP-3068-2 Set of 2 o-rings for 4" swivels